



## Tough Enough for the Factory Floor

- *Heavy-duty steel stands up to rough treatment.*
- *Carts turn smoothly and roll easily, even where space is limited.*
- *Small footprint and best use of the cube preserves precious floor space.*
- *Fully loaded cart can be maneuvered by one person.*
- *Elevated dumping from fork lift.*

DB-256-8P with DF-1056 Dumping Frame dumps heavy loads easily.

	243 Series	244 Series	256 Series
<b>Capacity</b>	9.4 cubic feet	13.4 cubic feet	27 cubic feet
<b>Load Rating</b>	1500 lbs.	1500 lbs.	1500 lbs.
<b>Bin Dimensions</b>	36" long 23" wide 22" deep	42" long 27" wide 22" deep	48" long 36" wide 30" deep
<b>Color</b>	Gray standard, blue optional	Gray standard, blue optional	Gray standard, blue optional
<b>Lip Height</b>	29"	30"	40"
<b>Method of Dumping</b>	DB = Rotational Dumping* RB = Hydraulic Dumping** WB = Rotational or Hydraulic Dumping**	DB = Rotational Dumping* RB = Hydraulic Dumping** WB = Rotational or Hydraulic Dumping**	DB = Rotational Dumping* RB = Hydraulic Dumping** WB = Rotational or Hydraulic Dumping**
<b>Dumping Frame (Optional)</b>	DF-1043	DF-1044	DF-1056
<b>Wheels</b>	5 inch phenolic***	6 inch phenolic***	8 inch phenolic***
<b>Options Available</b>	Drain Plug Hinged Drain Cover Four Swivel Casters Dumping Frame 1043	Drain Plug Hinged Drain Cover Four Swivel Casters Dumping Frame 1044	Drain Plug Hinged Drain Cover Four Swivel Casters Dumping Frame 1056
<b>Shipping Weight</b>	172 lbs.	185 lbs.	410 lbs.

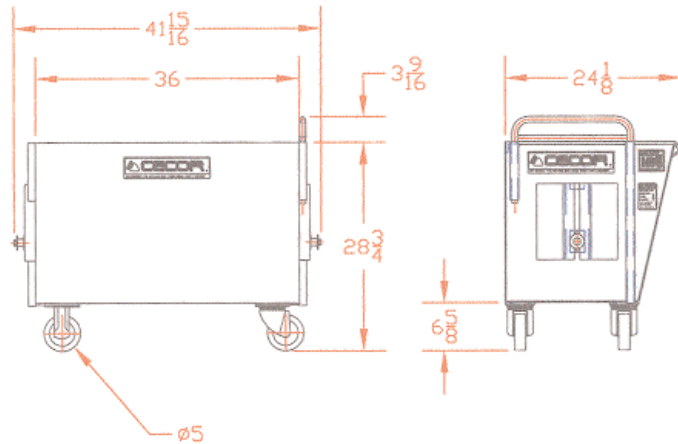
\* For rotational dumping use CECOR Dumping Frame. \*\*See Option page for details. \*\*\*Other sizes and styles available.

# Large Capacity Carts

## 243 Series



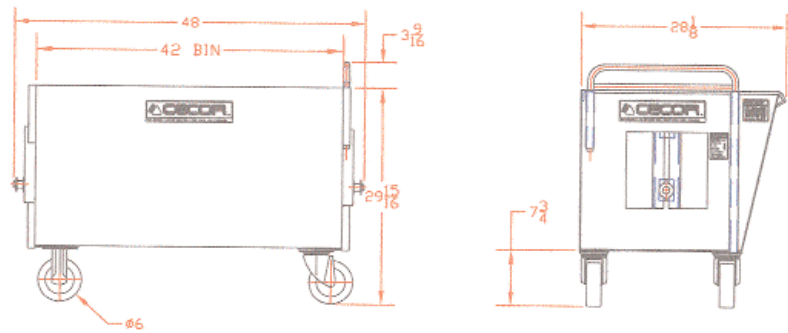
DB-243-5P



## 244 Series



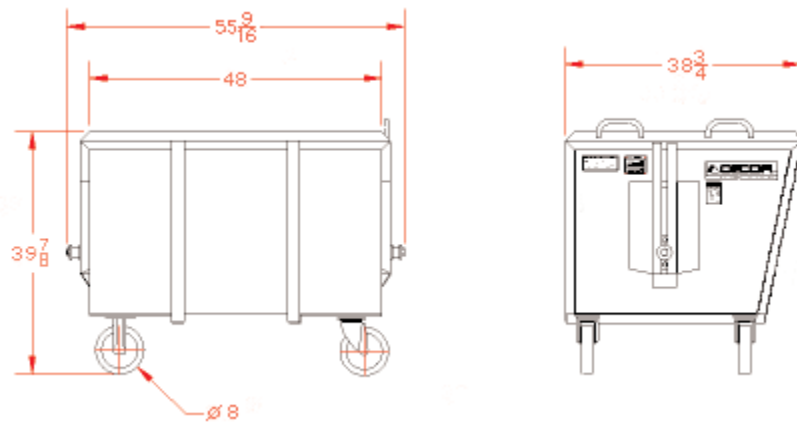
DB-244-6P



## 256 Series



DB-256-8P



NOTE: Engineering specifications subject to change without notice.



**CECOR**

102 Lincoln St. Verona, WI 53593 1-800-356-9042 Fax: 608-845-6792  
E-mail: cecor@cecor.net Website: www.cecor.net