



DB-342-4P has trunnions for use with a rotational dumping frame.

DB-342

- *Hauls small, dense loads.*
- *Turns smoothly, even where aisle space is limited.*
- *Can be dumped from fork lift when used with dumping frame.*

TB-048

- *Dumps forward in two stages for controlled emptying.*
- *Empties completely - no need to get hands dirty.*
- *Low lip makes loading easy.*



TB-048-8P is a compact industrial cart.

	DB-342	TB-048
Capacity	4.9 cubic feet	8.0 cubic feet
Load Rating	500 lbs.	850 lbs.
Bin Dimensions	30" long 16" wide 20" deep	37" long 24" wide 18-1/2" deep
Color	Gray standard, blue optional	Gray standard, blue optional
Lip Height	25-1/2"	18"
Method of Dumping	DB = Manual or Rotational Dumping*	Tilt Dumping
Wheels	4 inch phenolic	6 inch phenolic
Options	Drain Plug Dumping Frame DF-1042	Drain Plug
Shipping Weight	92 lbs.	135 lbs.

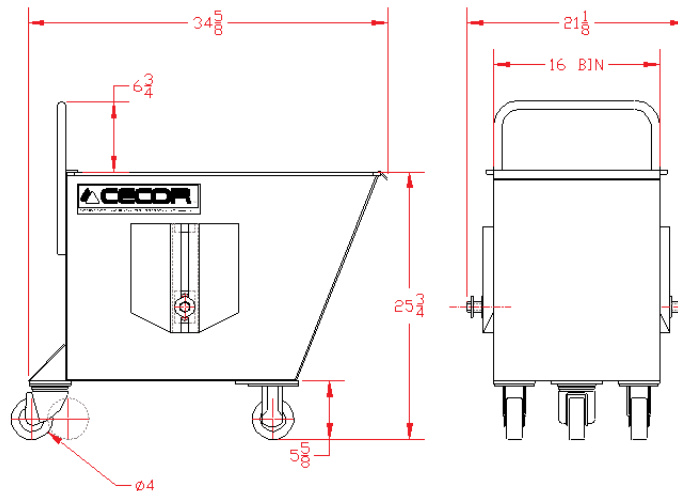
* For rotational dumping use CECOR Dumping Frame.

Three Wheeled Carts

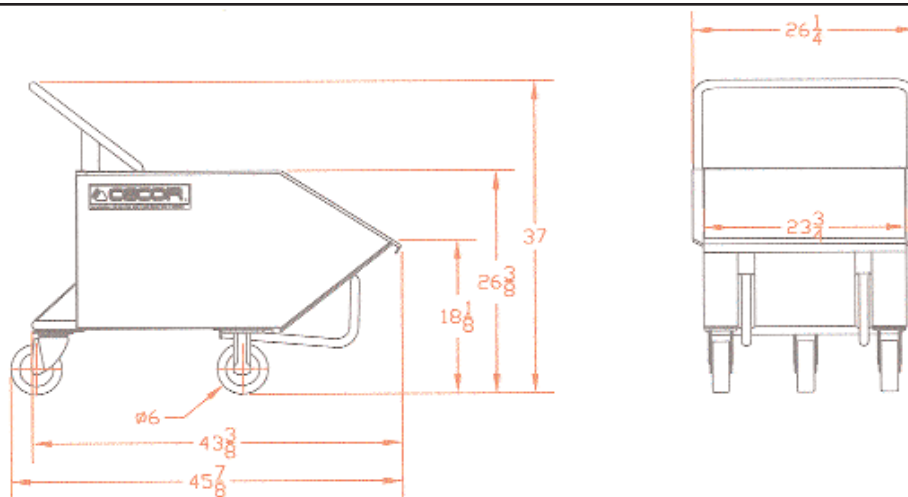


CECOR's heavy duty carts collect oily metal chips, turnings, parts in process and other dense industrial loads and move easily through tight aisles and around corners.

DB-342 Series



TB-048 Series



NOTE: Engineering specifications subject to change without notice.



102 Lincoln St. Verona, WI 53593 1-800-356-9042 Fax: 608-845-6792
E-mail: cecor@cecor.net Website: www.cecor.net