



Easy Loading Container

- *Low-to-the ground cart fits under machine tool discharge.*
- *Cart has small footprint - holds up to 6.9 cubic feet.*
- *Dense loads roll easily.*
- *Eliminate mess around machine tools.*
- *Can be dumped from fork lift using companion dumping frame.*

DB-L43-4P stands 15-1/2 inches tall and easily fits under machine tool discharge.

	DB-L43	DB-L44
Capacity	4.9 cubic feet	6.9 cubic feet
Load Rating	1000 lbs.	1000 lbs.
Bin Dimensions	36" long 24-3/4" wide 13" deep	42" long 28-3/4" wide 13" deep
Lip Height	12"	12"
Method of Dumping	DB = Manual or Elevated Dumping*	DB = Manual or Elevated Dumping*
Dumping Frame	DF-1043	DF-1044
Wheels	4 inch phenolic	4 inch phenolic
Options Available	Four Swivel Casters Drain Plug Dumping Frame 1043	Four Swivel Casters Drain Plug Dumping Frame 1044
Shipping Weight	96 lbs.	126 lbs.

* For rotational dumping use CECOR Dumping Frame.

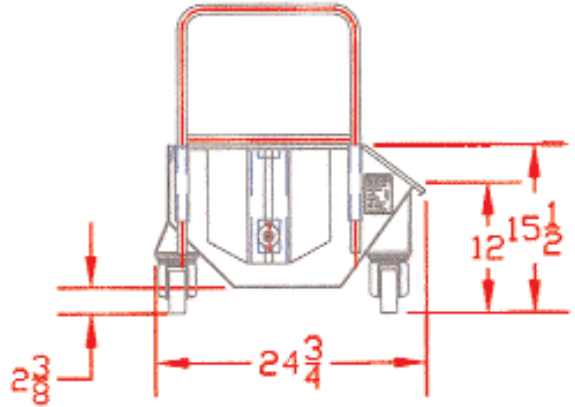
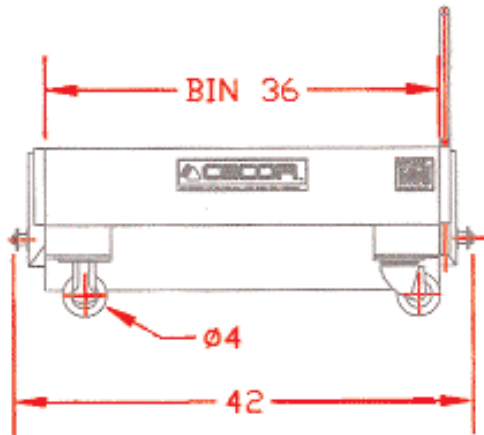
Low Loading Carts



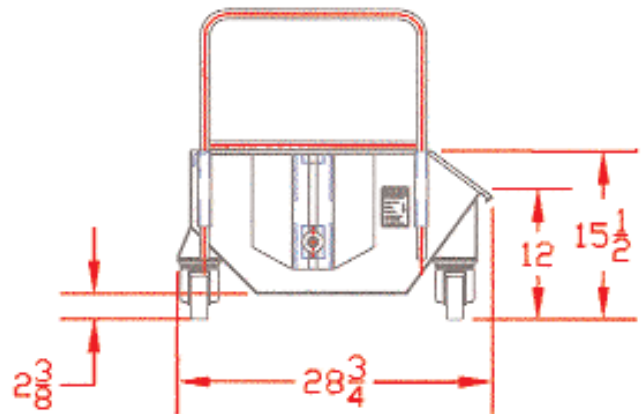
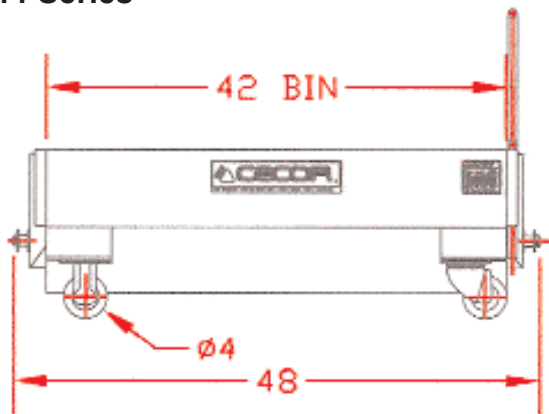
DB-L44-4P

Putting heavy loads on wheels, placing handles for easy maneuverability and designing every container for easy unloading helps workers do their jobs more efficiently.

L43 Series



L44 Series



NOTE: Engineering specifications subject to change without notice.



CECOR

102 Lincoln St. Verona, WI 53593 1-800-356-9042 Fax: 608-845-6792
E-mail: cecor@cecor.net Website: www.cecor.net